

## Eurodispenser Safety plus

Modern plastic dispenser for wall mounting for the use of hygienic single-use bottles and pumps with long nozzle, which makes time-consuming reprocessing obsolete.



# Eurodispenser Safety plus

## Advantages at a glance

The Eurodispenser Safety plus is a user-friendly and innovative dispenser for wall mounting for the usage of hygienic single-use packaging.

## Advantages of dispenser at a glance:

- Suitable for BODE standard bottles (500 ml and 1000 ml) with single-use pumps with long nozzle
- Also suitable for many competitors' euro bottles
- Reliable plastic dispenser with modern and slim design
- Wide arm lever for easy and intuitive elbow/arm operation
- Closed dispenser chassis, bottle is securely held in the dispenser
- Integrated trick-lock to prevent product theft, without key (function not for all competitors' bottles given)
- Integrated drip tray
- Useable as table stand dispenser
- Smooth surfaces and rounded edges for easy cleaning
- Suitable for dishwasher cleaning
- Easy and fast installation by either screwing or adhesive solution, same drill scheme as common Eurodispensers
- Simple and fast bottle exchange
- Delivery incl. mounting parts, instruction manual

## Advantages of hygienic single-use pumps with long nozzle at a glance:

- Pump exchange with every bottle exchange prevents product contamination
- Time consuming and complex reprocessing of pumps not necessary
- Convenient product application thanks to long pump nozzle
- Less product dripping and contamination of bottles thanks to long-nozzle pump
- Products with single-use pumps also usable in wall holders or bed dispensers (Eurodispenser 2, Eurodispenser 3, Eurodispenser 3 flex, Eurodispenser 4000, wall holders)

## Application

For the application of hand disinfectants and wash lotions.

## Areas of application

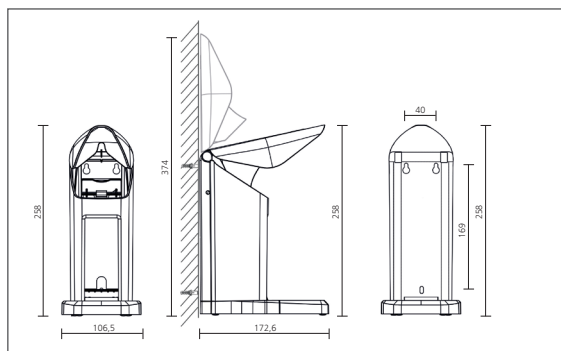
- In functional areas
- In personnel locks
- In examination rooms
- Next to doors in patient's rooms
- Areas where dispensers cannot be mounted by drilling/screwing (i.e. tiles)
- On reception desks
- On wards
- In restrooms
- In doctor's rooms and on nurses' stations
- In outpatient departments and patient transport ambulances
- In medical practices
- In utility departments
- In the hospital kitchen
- In hygiene-relevant areas in the pharmaceutical, cosmetics and food industries

## Set-up

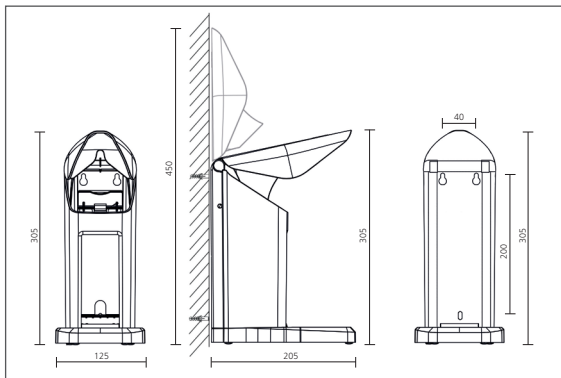
- Closed cover dispenser with arm lever for elbow operation
- Integrated trick-lock
- Integrated drop catcher
- Mounting set (screws, wall plugs, adhesive pads and alcohol wipe)



## Detail drawing 500 ml dispenser



## Detail drawing 1000 ml dispenser



# Eurodispenser Safety plus

## Reprocessing

Cleaning and disinfection of the dispenser body should be carried out each time the bottle is exchanged. The Eurodispenser Safety plus is filled with bottles and pumps for single-use. Therefore, reprocessing of the pumps is not necessary.

## Manual reprocessing of the dispenser

- Open dispenser housing and press the trick-lock button until the lock is open
- Remove bottle with single-use pump from the dispenser
- If necessary, clean exterior surfaces of the dispenser and drop catcher with moistened disposable tissue from product residuals
- Wipe exterior dispenser surfaces and drop catcher with sufficient amount of surface disinfectant (e.g. Bacillol AF Tissues, Bacillol 30 Tissues, Mikrobac Tissues, Kohrsolin extra Tissues, Dismozon plus (0.6%)) ensuring complete coverage. Consider exposure time
- Unpack new single-use pump without touching the dip tube. Mount the pump onto the bottle and unlock the pump.
- Insert new bottle with single-use pump into the dispenser
- Close the dispenser and dispense product

Notes: Dispenser is not autoclavable. Do not use acid (chloride) or abrasive cleaners.

## Automated Reprocessing of the dispenser

The pre-cleaned Eurodispenser Safety plus can be reprocessed in washer-disinfectors with cleaners having a pH-level of 7-12 and up to a maximum temperature of 83 °C.

## Material

- Dispenser housing and drop catcher made out of white and blue ABS-plastic
- Plastics with good alcohol and tension resistance
- Antislip-feet made out of TPE
- Single-use pumps made out of different plastics e.g. PP, LDPE, HDPE
- All materials of single-use pumps and bottles meet food contact approval status

## Stability after opening

- Stability after opening in Eurodispenser Safety plus: 12 months\*

\*Applicable for all Hartmann hand disinfectants.

## Mounting instruction

### 1. Scope of delivery

Dispenser, fixing set, adhesive pads, alcohol swab, instruction manual.

### 2. Installation advice

Dispenser should be installed at least 5-8 inches (13 -20.5 cm) from any elevated surfaces. The most ergonomically-suitable installation height for safe and comfortable operation is 43 inches (110 cm), measured from the floor to the base of the dispenser housing. Alternatively the dispenser may be used as a desktop dispenser.

### 3. Mounting of dispenser

For screwing solution: Attach the dispenser with enclosed attachment materials to the wall. Please check suitability of wall beforehand! For adhesive solution: Clean the surface with the supplied alcohol swab and wait for 5 minutes. Attach the dispenser with the adhesive pads on to the wall. Wait 24 hours before filling and using the dispenser.

### 4. Mounting of drop catcher

Push the trick-lock on the bottom of the dispenser upwards, insert and slide the drop catcher completely on to the dispenser. In order to fixate the drop catcher, release the trick-lock button. To remove the drop catcher from the dispenser e.g. for cleaning, unlock the trick-lock and remove the drop catcher to the front.

### 5. Bottle Placement/Exchange

Open the dispenser. Press the trick-lock button until the lock is open and snaps in. Unlock pump by turning the pump head. Insert filled bottle into the dispenser. The trick-lock closes automatically. Attention: Please make sure that the drop catcher is mounted correctly and does not block the locking device.

### 6. Dispenser operation

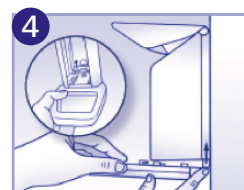
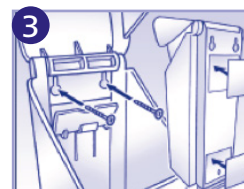
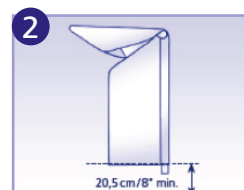
Close the dispenser. Hold your hand under the nozzle and operate the lever several times until solution is dispensed.

## Mounting advice

Selecting the mounting location

- Irrespective of dispenser type, provide for a space of approx. 4.5 - 6.5 inches (12 - 17 cm) above the dispenser (necessary for arm lever, mounting and dismantling of the dispenser as well as bottle exchange)
- Keep a minimum distance of approx. 5 - 8 inches (13 - 20.5 cm) between dispenser and top edge of wash basin or work space
- The wall should be clean, dry and even
- Mind the bearing capacity: besides weight of dispenser, pump and product bottle, the load of arm lever actuation has to be considered. Therefore, please only use the provided mounting material for attaching the Eurodispenser to the wall

*Make sure that no electric cables, gas mains or other utility cables and pipes are damaged by drilling*





### Product Presentation

Product	Content	Item no.
<b>Eurodispenser Safety plus</b>	for 500 ml - bottles	981 467
<b>Single-use pump with long nozzle</b>	for 350/500 ml - bottles	on request

Please note: that the availability of products may vary in different countries and regions. Contact your local distribution partner for more information.

The recommendations regarding our preparations are based on scientific tests and are given in good faith. More detailed recommendations, e.g. regarding material compatibility, are possible only in separate, individual cases. Our recommendations are not binding and do not constitute a guarantee. They do not preclude a company's own testing for the intended purpose and process. In this respect we cannot accept any liability. This is in accordance with our general conditions of sale and supply.

*Use disinfectants safely. Always read the label and product information before use.*

### BODE Chemie GmbH

A company of the HARTMANN GROUP  
 Melanchthonstraße 27  
 22525 Hamburg  
 Germany